

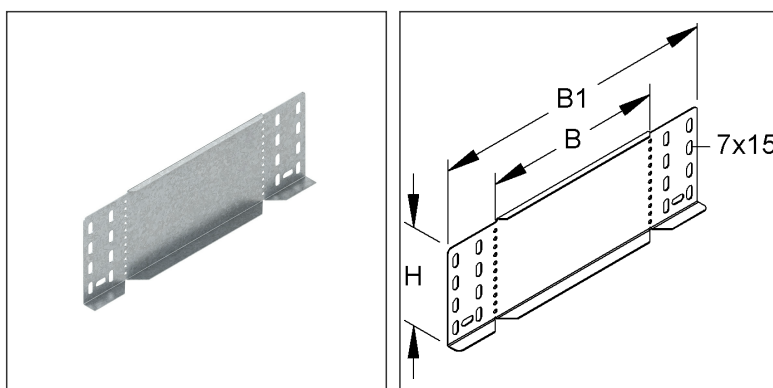
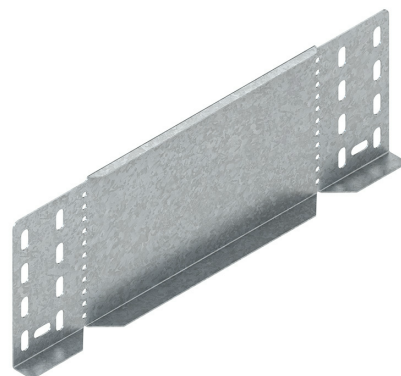
### Reducer/End Cap

RA 110.200 F

EAN Code: 4013339765409

Smallest packaging unit: 1 pc.

the photorealistic images are to be considered as reference images



### Article Description

Reducing-/end piece for cable tray, 110x200 mm, steel, hot dip galvanised DIN EN ISO 1461, incl. accessories

### Incl. accessories

1 piece = 1 piece

✓ lowest delivery unit

✓ preferred delivery unit

Model No.	Description	quantity
FLM 6X12 F	Mushroom-head bolt M6, similar DIN 603, length 12 mm, steel, hot dip galvanised DIN EN ISO 1461	4 pcs.

### Additional Price Information

Article group	N13
quantity unit	pcs.

### Weight

Weight per quantity unit	366 g / pcs.
Weight in kg per 100	37 kg / 100pcs.

# Technical Datasheet

## Cable Tray System

RA 110.200 F

the photorealistic images are to be considered as reference images

### Physical Article Dimensions

Height	112.00 mm
Width	17.00 mm
Depth/length	322 mm

### Packing Dimension

<b>1 piece = 1 piece</b>		✓ VP1-smallest packaging unit ( PU)	✓ VP1-preferred PU		
Lenght	322 mm	Width	17.00 mm	Height	112.00 mm
Gross weight	0,37 kg	Volume	0,001 m <sup>3</sup>		
Min. quantity	1.00 pcs.	Max. Quantity	1.00 pcs.		

### Tender Text

Reducing-/end piece, for terminating cable tray ends and for reducing and extending continuous cable trays, including proportional fastening accessories in hot-dip galvanised.

Used for : Cable trays with 110 mm edge height

Dimensions (approx. dimensions)

Height H x width W (inside) : 110 x 200 mm

Reducing dimension W : 200 mm

Total width W1 : 322 mm

Material : Steel, hot-dip galvanised acc. to DIN EN ISO 1461

NIEDAX Model No. : RA 110.200 F

EP Material\_\_\_\_\_ EP Wage\_\_\_\_\_

Unit price/piece

### Safety & Environment

REACH Date	05.11.2025
REACH Info	Conformable
RoHS Info	Conformable

### Origin & International Trade

Country of origin	DE
Federal State of Origin	RP
Customs tariff number	73089059